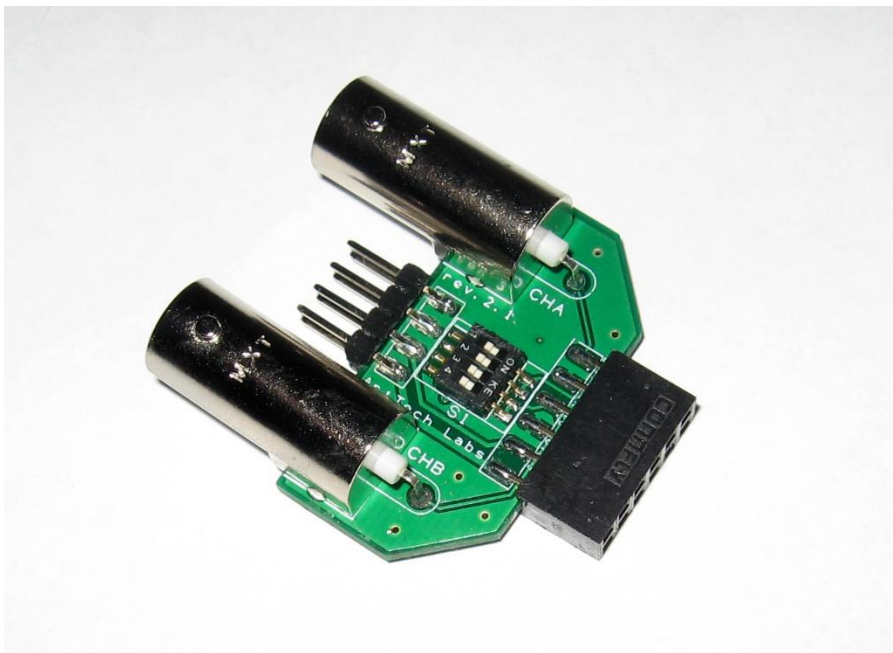




# BNC Connector





## Table of Contents

Features .....	2
Schematic.....	2
Connector .....	3
View module .....	3

## Description

The adapter is designed to connect the probes to the oscilloscope Attraction DOmini.

## Features

- 2 Channels with BNC output
- 8 pin connector for digital channels.
- S1 switch to redirect the signal from the BNC probes to the digital ports

## Schematic

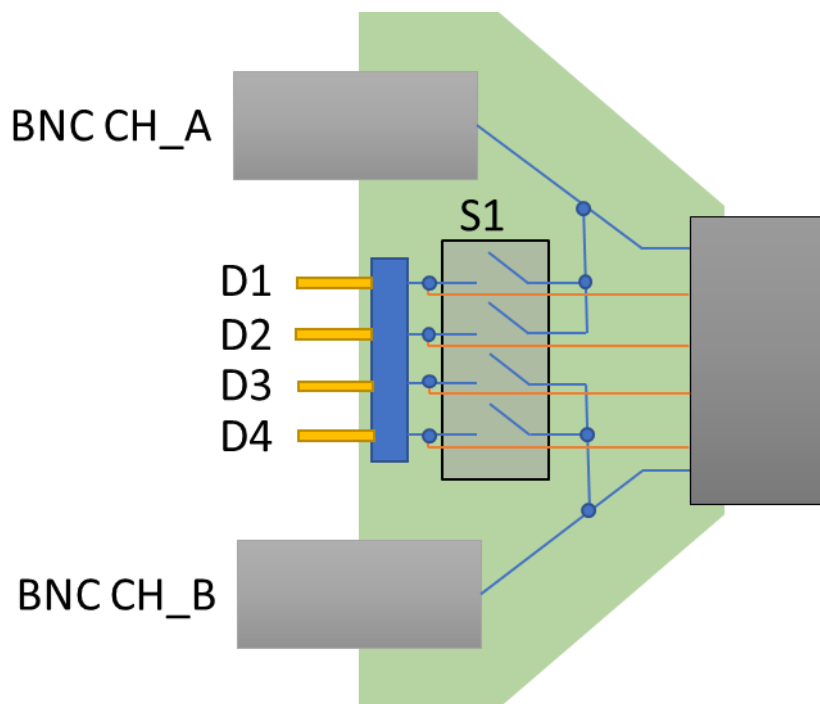


Fig. 1. Schematic.



### Connector to oscilloscope

<b>Top Row</b>	<b>1. CHA</b>	<b>2. GND</b>	<b>3. CHB</b>	<b>4. GND</b>	<b>5. +3.3V</b>	<b>6. +5V</b>
<b>Bottom Row</b>	7. GND	8. D1	9. D2	10. D3	11. D4	12. GND

### 8 pin connector for connecting to an external device

<b>Top Row</b>	<b>1. GND</b>	<b>2. GND</b>	<b>3. +3.3V</b>	<b>4. +5V</b>
<b>Bottom Row</b>	5. D1	6. D2	7. D3	8. D4

### View module

